

**Part No.** 103651908

**Series** Multi-X Coupling and Nipple Kits

[3D](#)

[PDF](#)

[Inquiry List](#)

---

### Category

Coupling kit

---

### Description Class

Multi-X Coupling and Nipple kits

---

**Suitable for**

Duo 10, Quattro 10, Quattro 10/12.5, Hexa 10

---

**Fits Multi-X**

GII

---

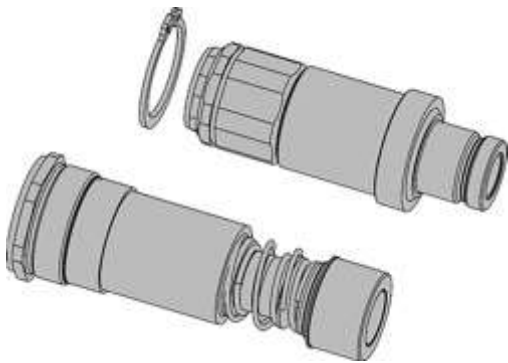
**Connection**

G 3/8" (BSP)

---

## Multi-X Coupling and Nipple Kits

The couplings and nipples in the Multi-X plates can be replaced. The nipple kit contains nipple and retaining ring. The coupling kit contains a complete set of parts for replacement of one coupling. The seal kits contains one profile ring or an O-ring/backup ring to replace the front seal on the nipple..



Check with an authorized CEJN distributor for availability and prices. Other connections and sealing material on request. Some part numbers may be subject to minimum order quantities. CEJN reserves the right to make changes without further notification. Thread connections are listed according to ISO Standards. All measurements are in mm.